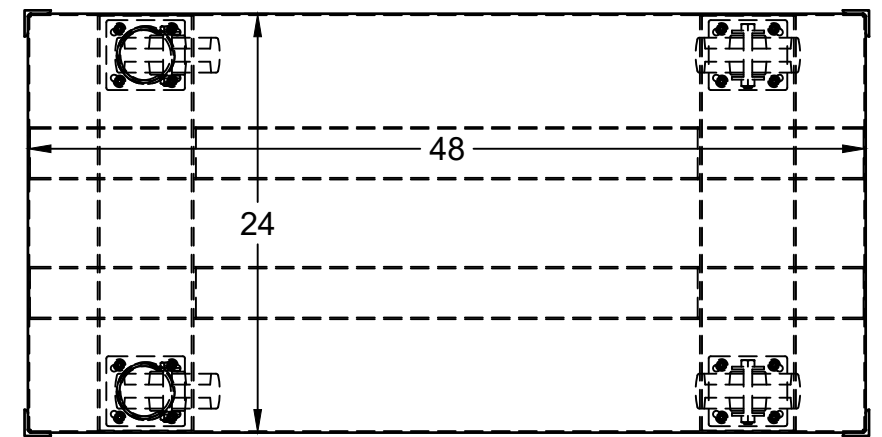
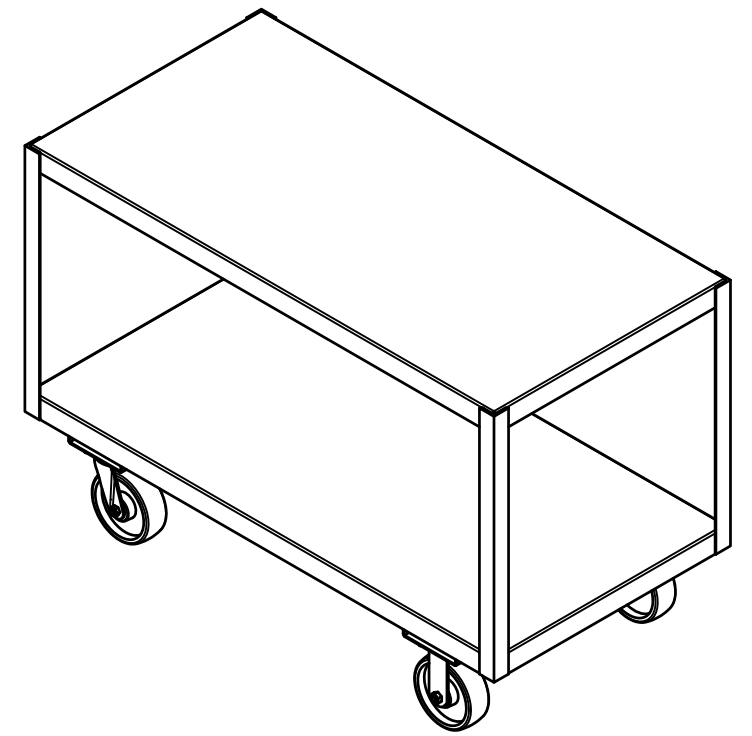
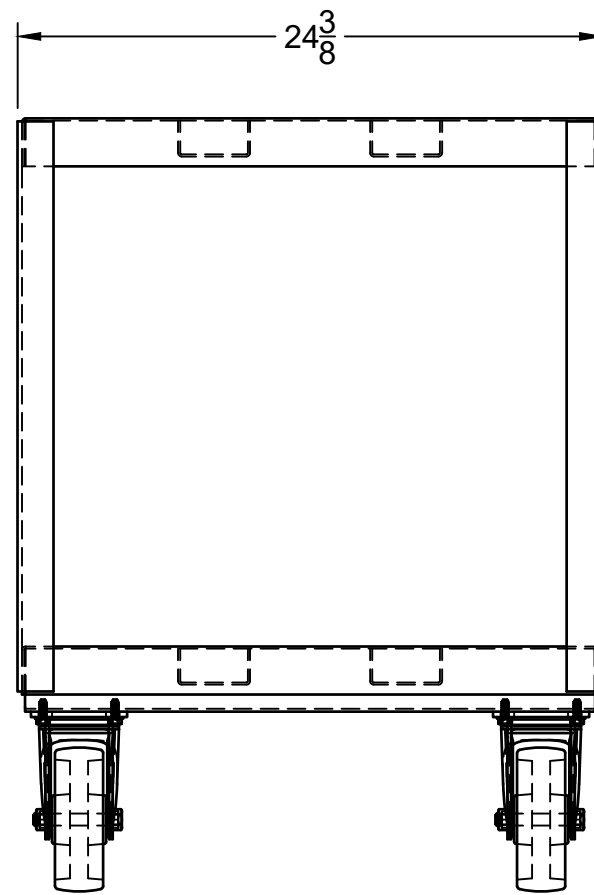


6x2 PH casters  
2 swivel & 2 rigid



**FIRST PART  
APPROVAL REQUIRED**

APPROVED BY \_\_\_\_\_  
DATE \_\_\_\_\_



PROJECT

Portable work bench

TITLE

Portable work bench - 2,000# capacity  
48"L x 24"W x 32 1/4"H (2 shelves)  
w/6x2 phenolic casters

APPROVED	SIZE	DUTY	DWG NO	REV
CHECKED	B	Extra Heavy	10219C	
DRAWN Jesse Pifer 2/2/2024	SCALE 1:8	WEIGHT 146 lbs	SHEET 1/1	