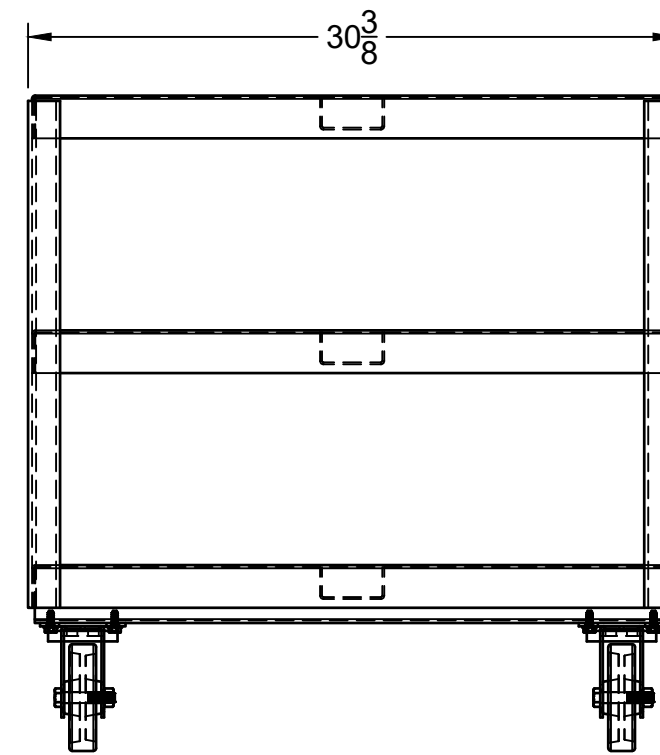



5x1¼ PU casters
2 swivel & 2 rigid



**FIRST PART
APPROVAL REQUIRED**

APPROVED BY _____
DATE _____

| | | | | | |
|---|-------------|--|-----------|----------------|-----------|
|  | | PROJECT Portable work bench | | | |
| | | TITLE Portable work bench - 1,000# capacity 72"L x 30"W x 30 3/4"H (3 shelves) w/5x1 1/4 polyurethane casters | | | |
| APPROVED | SIZE | DUTY | DWG NO | REV | |
| CHECKED | B | Heavy | 102655 | | |
| DRAWN | Jesse Pifer | 2/2/2024 | SCALE 1:9 | WEIGHT 247 lbs | SHEET 1/1 |