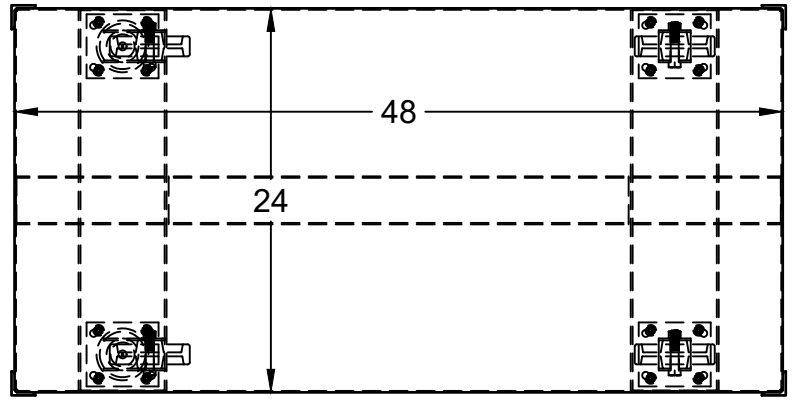
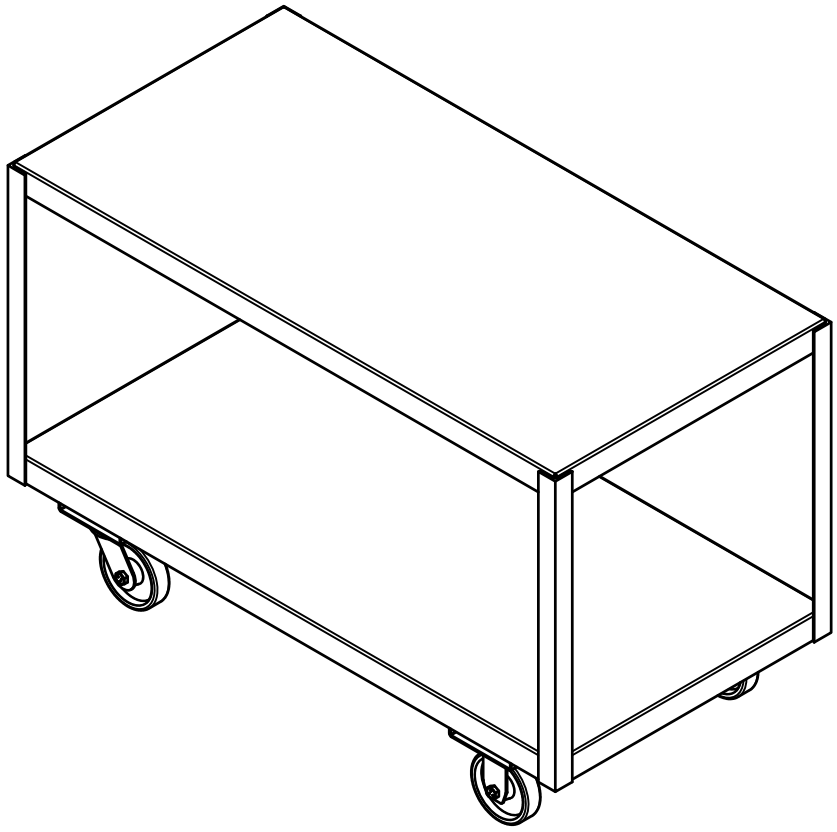
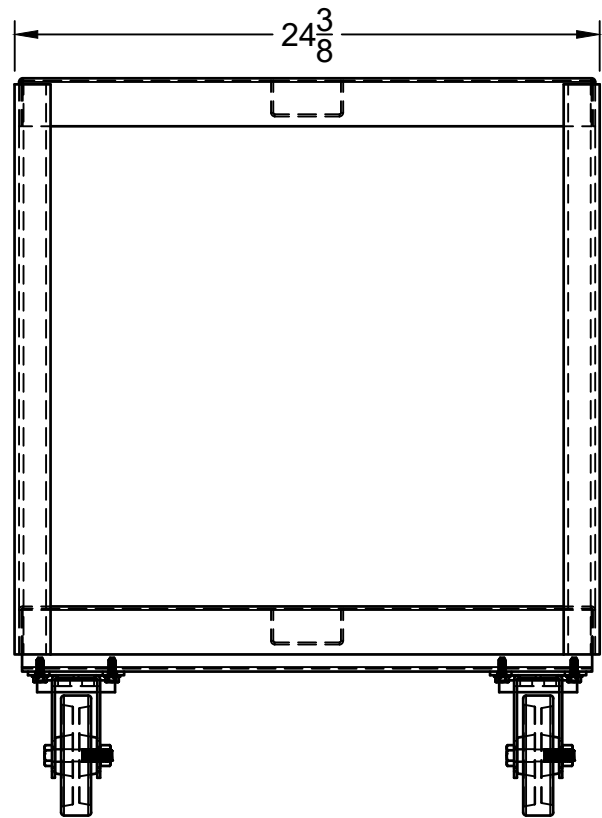



5x1¼ PU casters
2 swivel & 2 rigid



**FIRST PART
APPROVAL REQUIRED**
APPROVED BY _____
DATE _____

		PROJECT			
		Portable work bench			
		TITLE			
		Portable work bench - 1,000# capacity 48"L x 24"W x 30 3/4"H (2 shelves) w/5x1 1/4 polyurethane casters			
APPROVED	SIZE	DUTY	DWG NO	REV	
CHECKED	B	Heavy	101995		
DRAWN	Jesse Pifer	2/1/2024	SCALE 1:8	WEIGHT 117 lbs	SHEET 1/1